



20600 SERIES GENERAL OFFICE SHREDDERS

**20606 S
20606 C
20606 EC
20612 C
20612 EC
20614 EC
20630 EC
20634 EC**

For More Info

Click Here ---->



Dahle North America, Inc.

375 Jaffrey Road
Peterborough, NH 03458
Tel: (603) 924-0003 • Fax: (603) 924-1616
Email: shredders@dahle.com
w w w . d a h l e . c o m

OPERATION MANUAL

20606.90.0830 – 01/04 –

Congratulations on your purchase of a DAHLE Paper Shredder! We here at DAHLE North America are dedicated to providing rugged and dependable products for the large, and not so large office. We are sure your new DAHLE Paper Shredder will meet or exceed your expectations of quality and service

If you have any questions regarding your new DAHLE paper shredder, call your sales representative, or call DAHLE N.A. Customer Service, toll free, at (800) 995-1379 between 8:30 am and 5:00 pm Monday through Friday, EST.

Check off the model and record the serial number for your records in the space provided below.

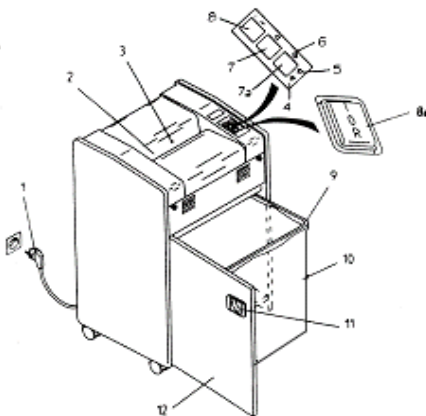
- 20606 S 20606 C 20606 EC 20612 C 20612 EC
 20614 EC 20630 EC 20634 EC

Serial Number: _____ For More Info
 Click Here ---->



DIAGRAM KEY

1. Main Plug
2. Feed Opening
3. Light Barrier
4. Bag Full Indicator
5. Door Ajar Indicator
6. Paper Jam Indicator
7. Forward Switch (*electronic models*)
- 7a. Reverse Switch (*electronic models*)
8. Power Switch (*electronic models*)
- 8a. On/Off/Reverse (*manual models*)
9. Shred Bag
10. Waste Bin
11. Door Handle
12. Door



READ ALL INSTRUCTIONS BEFORE OPERATING YOUR SHREDDER

BEFORE YOU CALL FOR SERVICE

SYMPTOM	POSSIBLE CAUSES	SOLUTION
No Power	1. ON/OFF Switch set to wrong position 2. Unit unplugged 3. Outlet dead 4. Door not fully closed 5. Waste Bin full	Move Switch to "I" (on) position Connect to outlet Reset circuit breaker Close Door Empty Waste Bin
Low capacity	1. Cutting blades dry	Lubricate cutting blades according to instructions.

704

DAHLE SHREDDER SUPPLIES AND ACCESSORIES

Item No.	Models
605	Shred Bags (100 per box)
701	Personal & 20300 Series 20400, 20500 & 20600 Series
705	20800 Series
706	High Capacity Models

740G **Waste Bin**
20600 Series

Item No.	Models
740	Box of 4 16oz. Bottles
740G/1	Box of 4 1gal Bottles 1 gallon bottle

Automatic Oiling System
SAO-120 4 Liter Auto Oiler

IF ANY OTHER PROBLEMS OCCUR. CALL YOUR AUTHORIZED DAHLE SERVICE DEALER

CHANGING THE SHRED BAG

When the Shred Bag (10) is full, the shredder will automatically shut down. On the electronic models an LED indicator will light and an audible alarm will sound. Changing the Shred Bag is quick and easy if you follow these simple directions.

1. Turn shredder off
2. Open Door (12) using Door Handle (11) to expose Waste Bin (10) and Shred Bag (9).
3. Pull the Waste Bin and full Shred Bag out of the shredder.
4. Dispose of full Shred Bag.
5. Install new Shred Bag in Waste Bin, draping end of Shred Bag over edge of Waste Bin.
6. Push Waste Bin, with new Shred Bag installed, back into shredder.
7. Close Door.
8. Turn on shredder and continue shredding.

For More Info

Click Here --->



CARING FOR YOUR SHREDDER

Clean covers with a clean dry cloth. Do not use water or solvents. Make sure you disconnect your shredder from its power source before cleaning.

Paper shredders, like all mechanical equipment, need proper maintenance to ensure efficient operation. Periodic lubrication of the cutting blades is important to offset the friction generated within the cutting head. Frequency of lubrication will vary depending on the shred size and the amount of usage. A strip-cut shredder receiving light use (1 – 2 hours per week) will require lubrication only once or twice a month, while the same machine used 1 – 2 hours per day will require lubrication weekly. A cross-cut shredder should be lubricated every ½ hour of shredding time to maintain maximum capacity and efficiency.

The procedure for lubricating your shredder is simple, and can be performed by any operator. The oil is packaged in a squeeze bottle and is applied directly to the cutting blades through the feed opening (3). Run a fine stream of lubricant from one side of the feed opening to the other. Run the shredder in REVERSE for a few seconds to help distribute the lubricant evenly. You can now continue shredding as usual.

DAHLE Shredder Oil is the only lubricant you should use in your paper shredder. It has been specially formulated so as not to leave any residue that could attract dust and clog the shredding mechanism. You can order DAHLE Shredder Oil (item # 740) from your local dealer.

Repairs on your paper shredder should only be performed by qualified technicians. **If you need service**, contact your local dealer, or you can contact DAHLE North America Customer Service between 8:30 am and 5:00 pm EST at (800) 995-1379.

NOTE: SHREDDER WILL NOT OPERATE UNLESS DOOR IS COMPLETELY CLOSED

SAFETY INSTRUCTIONS



- Read the operating instructions carefully before operating your shredder!
- Do not use in the vicinity of flammable liquids or gases.
- Do not use in the vicinity of corrosive materials.
- Do not expose to water or wet conditions.
- Do not let children operate this, or any other, office equipment.
- Do not reach into the cutting mechanism during operation - not even from the top or with objects.
- Do not operate the shredder for a period of more than 5 minutes in no-load operation (operation without paper).
- Keep hair clear of machine.
- Keep neckties clear of machine.
- Keep bracelets, or any other jewelry, clear of machine.
- Power connection must be accessible at all times.
- Disconnect from power supply before servicing.
- The safety devices must not be disabled or removed.

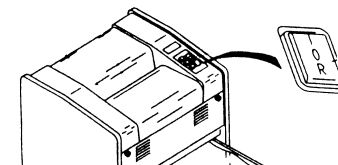
BEFORE YOU SHRED

- Remove Transport Bolts with wrench provided.
- Record the Model and Serial Number in the space provided inside the front cover.
- Be sure the electrical outlet provides the proper power for your shredder (see rating label on rear of shredder).
- Install Shred Bag (see: "CHANGING THE SHRED BAG").

TURNING ON YOUR SHREDDER

20606 S ♦ 20606 C ♦ 20 612 C

1. ON, OFF and REVERSE are controlled by the black Rocker Switch (8a) on the top of the shredder.
2. Moving the switch to the "I" (ON) position activates the shredding mechanism.
3. Moving the switch to the center or "O" (OFF) position turns the shredder off.
4. The REVERSE position "R" will be discussed in "CLEARING A PAPER JAM".



ALWAYS TURN SHREDDER OFF IF IT WILL BE UNATTENDED FOR LONG PERIODS OF TIME

